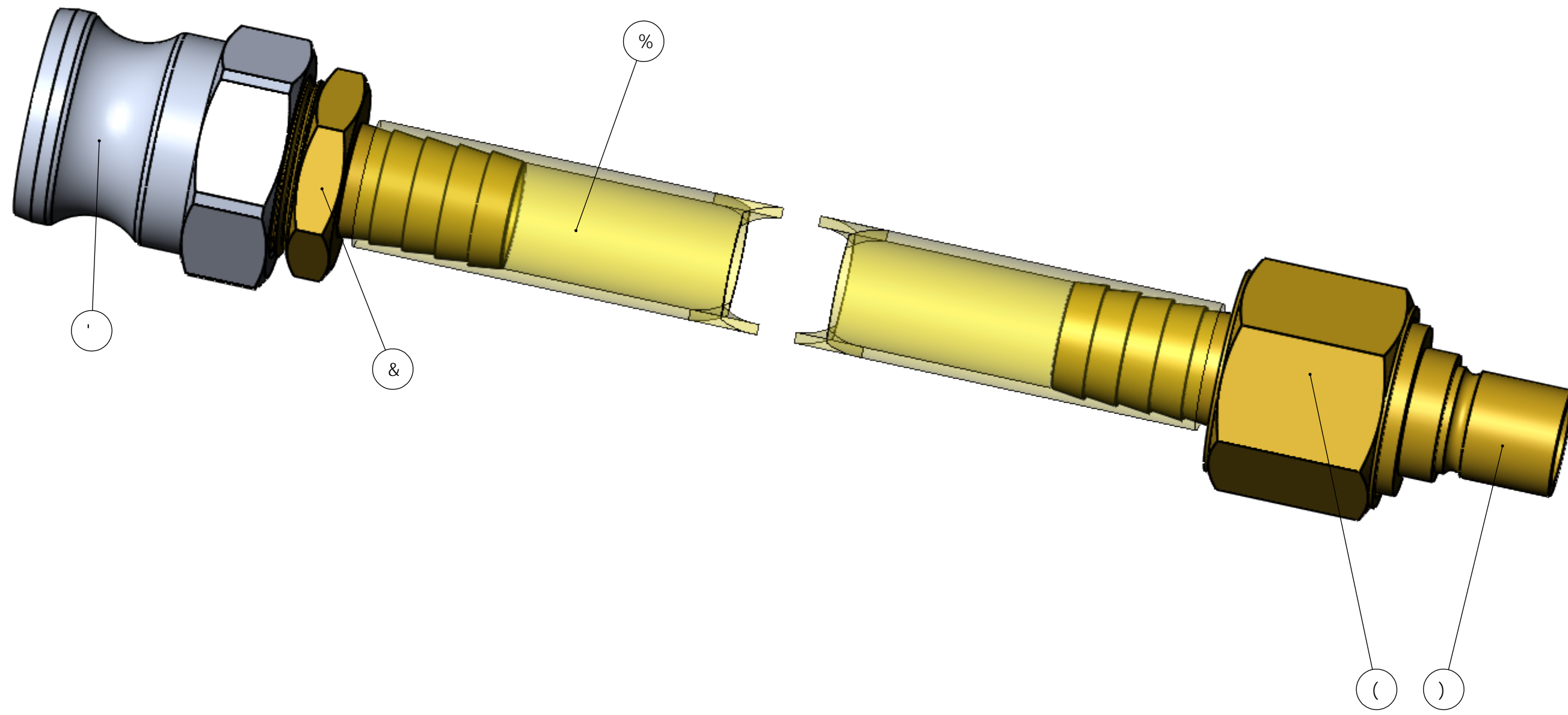


#DA 'BC "	8 9G7 F-DHC B	A WA 5GHPF 'D5FHBC "	D6A 'D5FHBC "	E HM
%	' \$fi@ "L) #, "B '<C G9			%
&	6fUgg6UFVYX) #, "'<cgY 'B 1 " #(: <H A U Y	67 A +)		%
'	5@7 Ua / ; fccj Y '<cgY '7 ci d]b[&\$, (H) %	8' (5@	%
(6fUgg6UFVYX) #, "'<cgY '1 " #(: <H :Ya U	67 : +)		%
)	6fUgg' #(: UfXYb '<cgY 'E 87 'Di [8; <+		%



DFC DF 45FM588 7CB: @9BH5@
 H:9 B: CFA 5HC B 7C B15 B98 B H:G
 BFK B: 4H:9GQ:9DFC D9FHC:
 D6G9H7CA D5BMB5A 9<9F92" 5BM
 F9DFC81 7HC B B D5FHC F 5G5 K <C @9
 K H:CI HH:9K F H98 D9FA GGC B C:
 D6G9H7CA D5BMB5A 9<9F92 G
 DFC < 4H98"

		I B @9GC H:9FK 49 QD97 + 98:		B5A 9	85H9
		B A 98GC BG5F9 B :B7 <9G H: @9F5B7 9G F57 HC B5 @9 5B: 1 4Bf. A 57 - ± "' 698 B ± H: C D457 9897 A 5@ ± H:F99D45 7 9897 A 5@ ±	8F5K B	HB	\$ (#9) #8\$
		BHF DF9H: 9CA 9F7 H: @9F5B7 B: D9F	7<97 798		
		A 5HFF 5@	98: '5DDF"		
B9LH5GM	I 998 C B	-B G:	A:: '5DDF"		
		5DD@7 5HC B	E "5"		
		8C B CHG 5@9 8F5K B:	7CA A 98HG		

PÿÖÜU ÄÖWÖSÜ			
T ÖP ÄÖ ÖÄ ÖUÖT ÖSÿ			
GN9	8K ; "'BC "	F9J	
7	<8!\$\$*	5	
G7 5 @9. %&	K 9# <H'	G<99H% C : %	