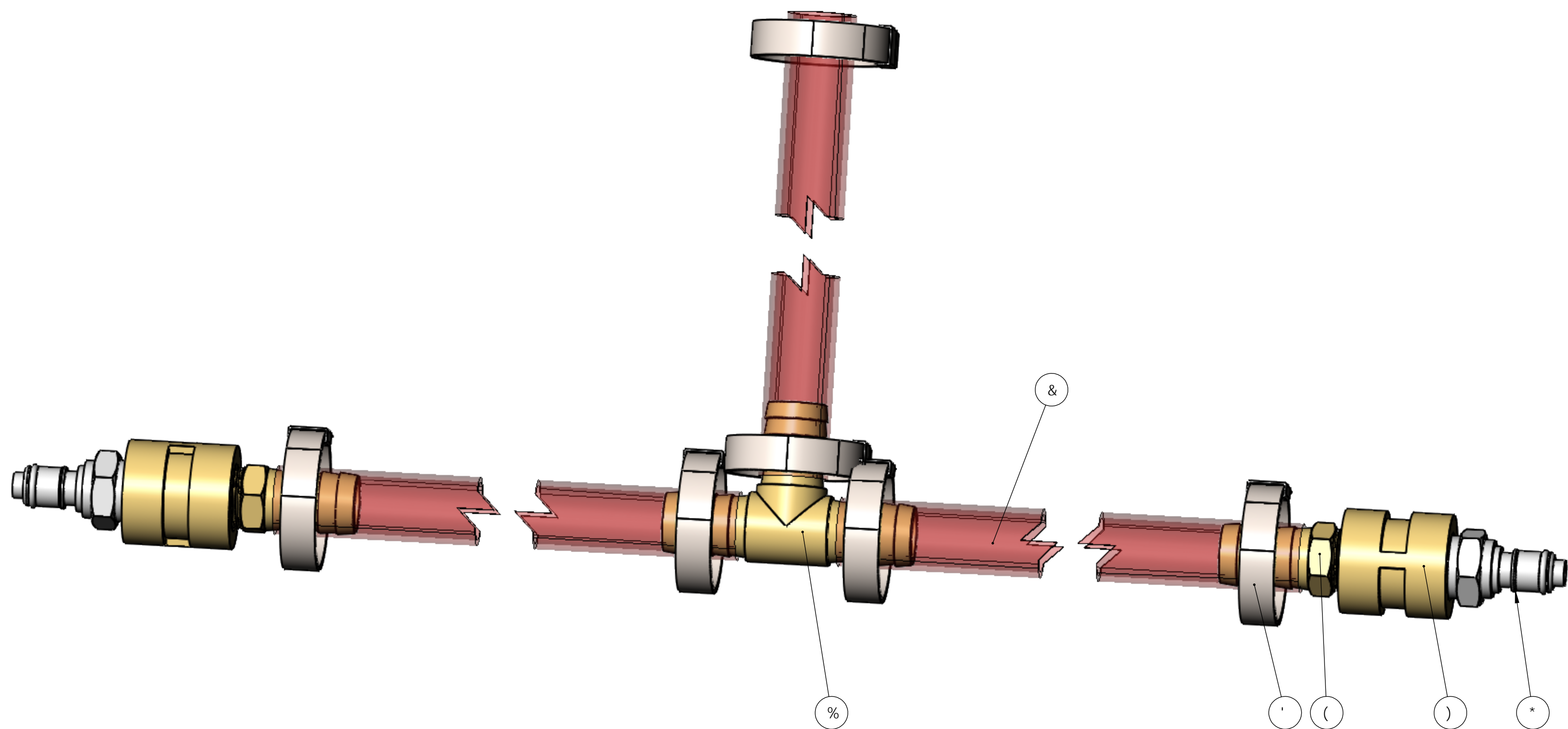


#PA 'BC "	89G7 F-DHC B	A VA UghYfDUfBc	D6A 'DUfBc	E HM
%	6fUggH6UVYX'<cgY':]Hb[-%))?)' \$	H), 6F	%
&	G\c fh@ YF@pY'GY[a Ybh) "'@ "I')#,"-8			'
'	@k !Dfc ZY'<cgY'7'Ua d)*)?)%&		*
(6fUgg6UVYX'<cgY' A UY'D]dY' 5XUdHrf)' (*?*)	5' ,), 6F	&
)	6fUgg' #, "'BDH7 ci d']b[-%&?)&	65':':	&
*	' #, "'BDH7 ci d']b['bgYfh		5D7 8&(\$\$*	&



DfC Df 45FM588 7CB: @9BH5@
 H-9 B: CFA 5HC B 7 C B H 5 B 98 B H G
 BfSK B: 4H-9CC-9DFC D9FHC:
 D6G9H7CA D5BMB5A 9-9F92" 5BM
 F9DFC B1 7HC B B D5FHCF 5G5 K <C @9
 K H: C1 H H-9K F H98 D9FA GGC B C:
 D6G9H7CA D5BMB5A 9-9F92 G
 DfC < 4H98'

		I B @9GC H: 9FK @9D97 + 98:		B5A 9	B5H9
		B A 98GC BG5F9 B @7 <9G H C @9F5B7 9G F57 HC B5 @9 5B: 1 @9f. A 57 - ± "' 698 B ± H C D H 5 7 9 8 9 7 A 5 @ ± H: F 9 9 D H 5 7 9 8 9 7 A 5 @ ±	8F5K B	HB	\$ (#9 #8\$
		B H F D F 9 H: 9 C A 9 F 7 H C @9F5B7 B: D9F	7 < 9 7 9 8		
		A 5 H F 5 @	98: "5DDF"		
			A:: "5DDF"		
			E "5"		
			7 C A A 98 H G		
B 9 L H 5 G M	I 9 9 8 C B	- B G:			
	5DD @ 7 5HC B	8 C B C H G 7 5 @ 9 8 F 5 K @:			

PYÖÜUÄÖWÖS

**ŠVOÜŠPÖÄPÖ
VOÖÄWÖEJUÖT ÖŠY**

GN9	8K ; "'BC"	F9J
7	< 8!\$\$ (5
G7 5 @9. % (K 9# <H'	G< 99H% C : %